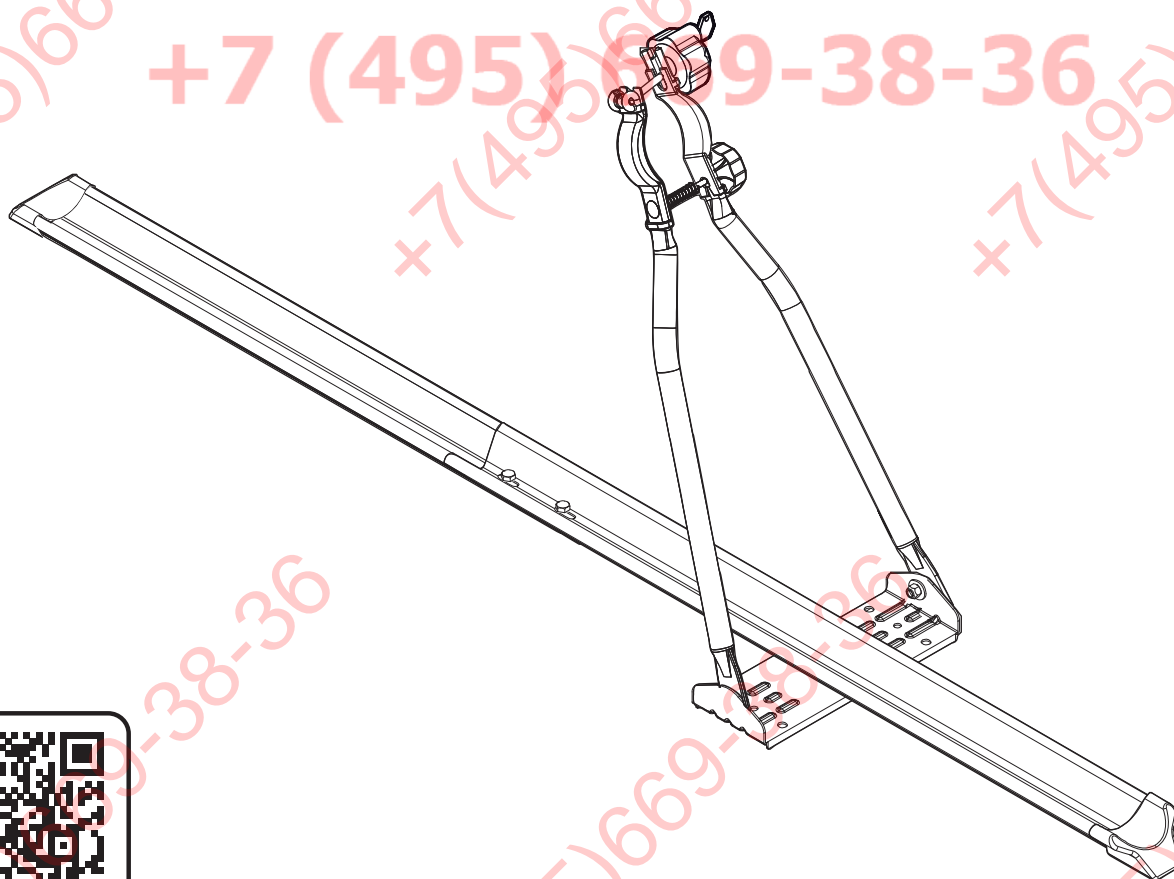


MENABO

free time on the move

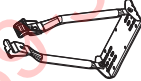






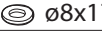




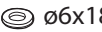



HUGGY HUGGY LOCK











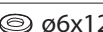
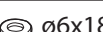

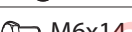

| | | | |
|----|---------------------------|----|----------------------------|
| IT | Istruzioni di montaggio | LV | Pritvirtinimo instrukcijas |
| EN | Fitting instructions | NL | Instrukcja montażu |
| DE | Montageanleitung | NO | Monteringsveiledning |
| FR | Instructions de montage | PL | Instrukcja montażu |
| ES | Instrucciones de montaje | PT | Instruções de Montagem |
| CS | Návod na montáž | RO | Instrucțiuni de montare |
| DA | Monteringsvejledning | RU | Инструкции по установке |
| EL | Οδηγίες συναρμολόγησης | SK | Návod na montáž |
| ET | Paigaldusjuhend | SL | Navodila za pritrjevanje |
| FI | Asennusohje | SV | Monteringsanvisning |
| HR | Uputa za sastavljanje | TK | Uydurma talimat |
| HU | A felszerelés módja | ZH | 裝修指導 |
| LT | Stiprināšanas instrukcija | AR | تعليمات التجميل |



Made in Italy



| N. | [IT]Componenti (Inclusi) [EN]Components (Included) [FR]Composants (Comprises) [DE]Die Komponenten (im Lieferumfang enthalten) [ES]Componentes (Incluido) | HUGGY | |
|----|--|-------|----|
| | | Q. | Q. |
| 1 |  | 1 | 1 |
| 2 |  | 2 | 2 |
| 3 |  | 2 | 1 |
| 4 |  | - | 1 |
| 5 |  | 2 | 2 |
| 6 |  M8x100 | 1 | 1 |
| 7 |  | 1 | 1 |
| 8 |  ø8x17 | 2 | 2 |
| 9 |  | 1 | 1 |
| 10 |  | 3 | 3 |
| 11 |  | 3 | 3 |
| 12 |  ø6x12 | 2 | 2 |
| 13 |  ø6x18 | 12 | 12 |
| 14 |  M6 | 4 | 4 |
| 15 |  M6x14 | 4 | 4 |
| 16 |  | 6 | 6 |

| N. | [IT]Ricambi (A Richiesta) [EN]Spare Parts (Made to order) [FR]Pièces de rechange (Sur commande) [DE]Teile (auf Anfrage) [ES]Piezas de recambio (Previa solicitud) | Q. | Codice-Code-Código |
|----|---|----|--------------------|
| | | | |
| 5 |  | 2 | |
| 3 |  | 1 | 700010800000 |
| 4 |  | 1 | 000026400000 |
| 5 |  | 2 | 700006200000 |
| 6 |  M8x100 | 1 | 700011000000 |
| 7 |  | 1 | |
| 8 |  ø8x17 | 1 | 700011300000 |
| 9 |  | 1 | |
| 10 |  | 3 | |
| 11 |  | 3 | |
| 12 |  ø6x12 | 2 | |
| 13 |  ø6x18 | 12 | |
| 14 |  M6 | 4 | |
| 15 |  M6x14 | 4 | |
| 16 |  | 6 | |

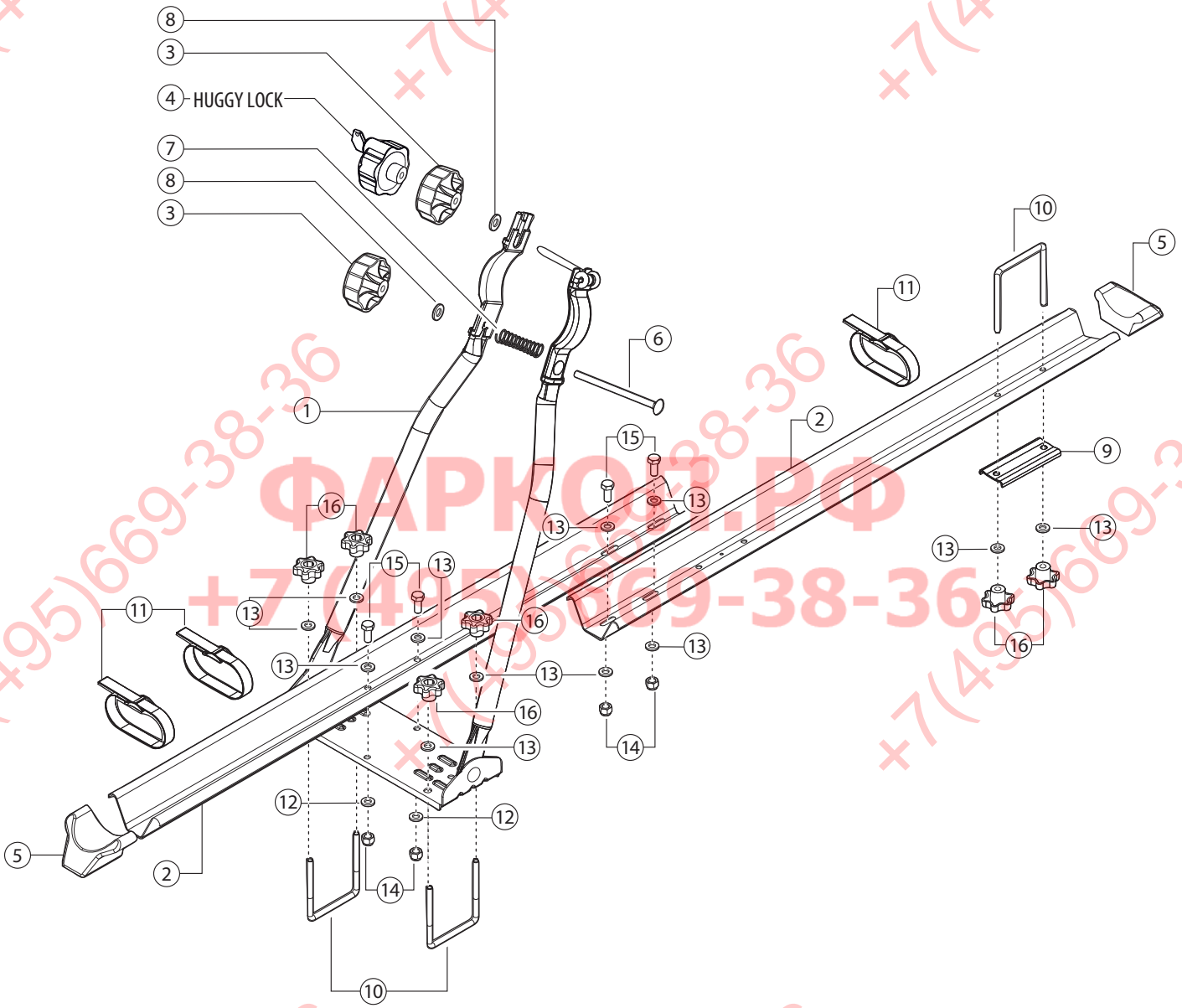
ФАРКОП.РФ

+7 (495) 669-38-36

+7(495)669-38-36

+7(495)669-38-36

+7(495)669-38-36



+7(495)669-38-36

+7(495)669-38-36

+7(495)669-38-36

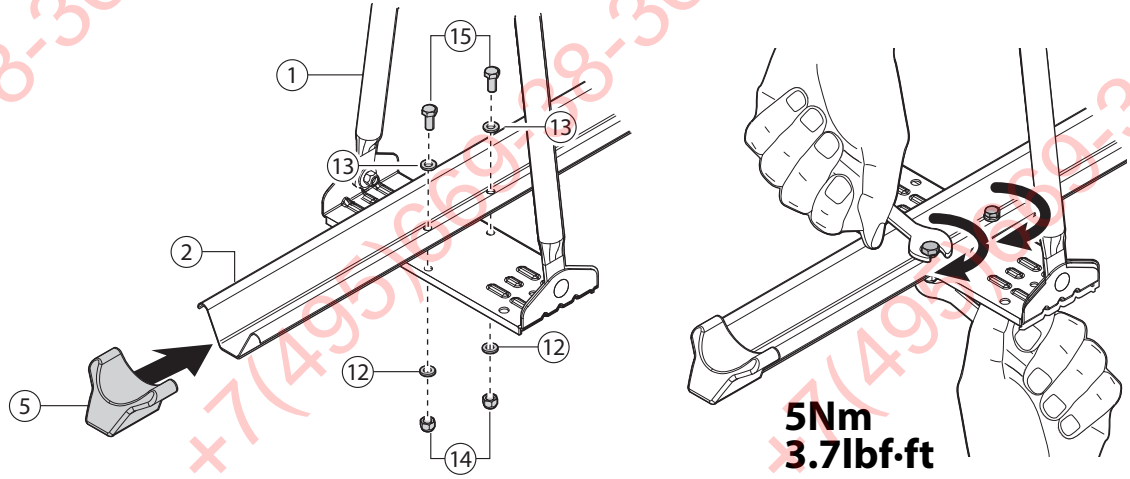
+7(495)669-38-36

+7(495)669-38-36

+7(495)669-38-36

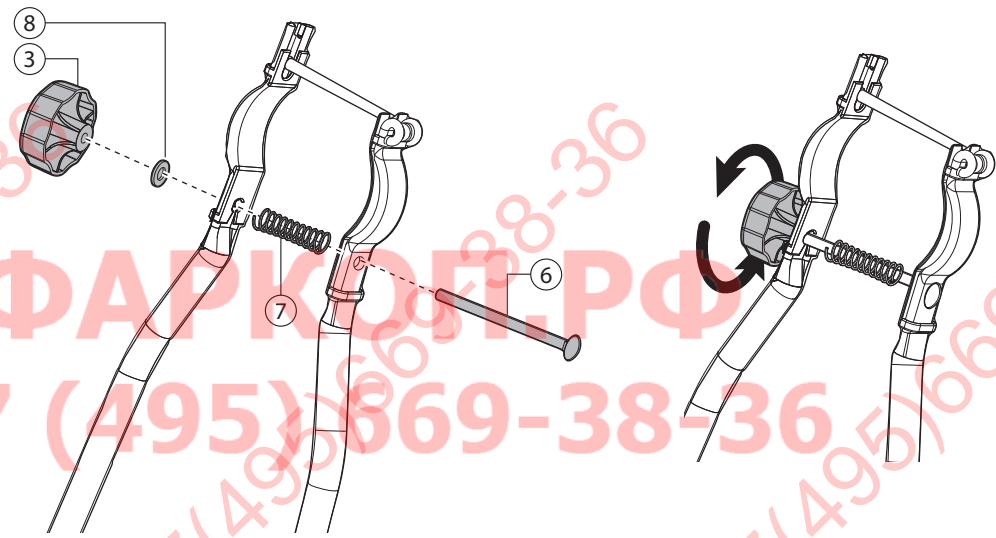
1

| N. | | Q. |
|----|---------------------------|----|
| 1 | | 1 |
| 2 | | 1 |
| 5 | | 1 |
| 12 | $\varnothing 6 \times 12$ | 2 |
| 13 | $\varnothing 6 \times 18$ | 2 |
| 14 | M6 | 2 |
| 15 | M6x14 | 2 |



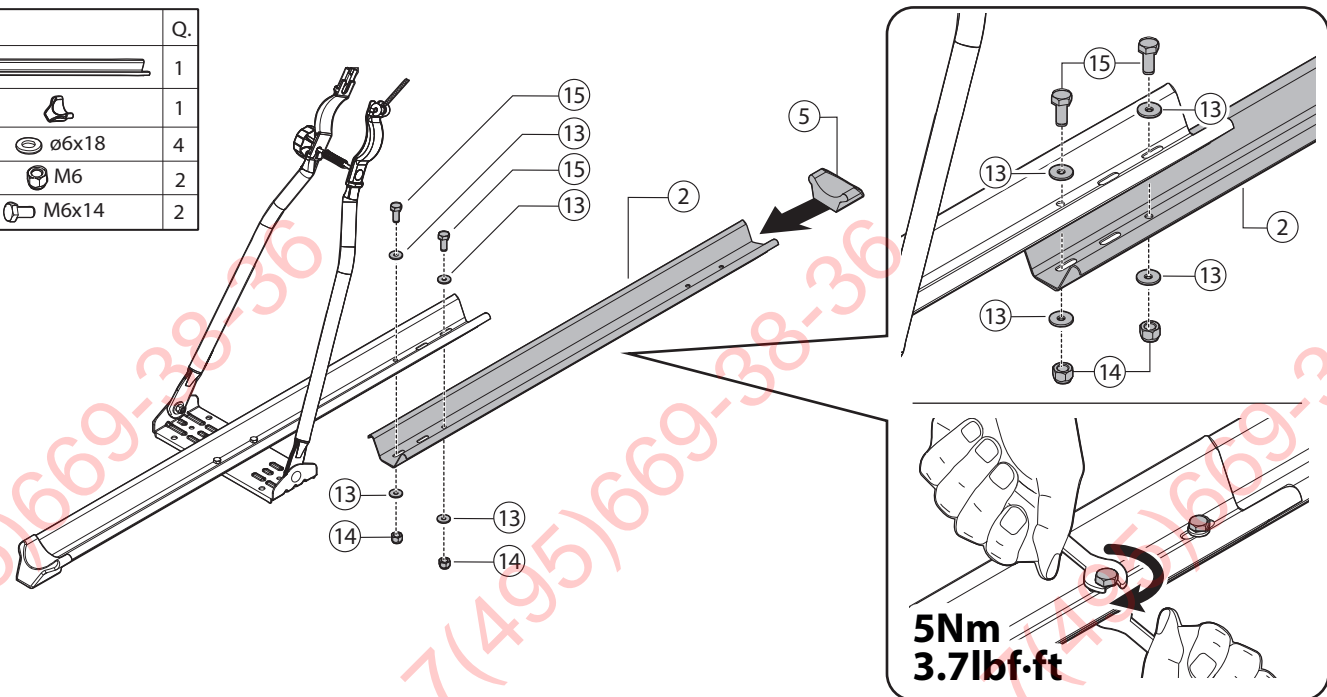
2

| N. | | Q. |
|----|---------------------------|----|
| 3 | | 1 |
| 6 | M8x100 | 1 |
| 7 | | 1 |
| 8 | $\varnothing 8 \times 17$ | 1 |



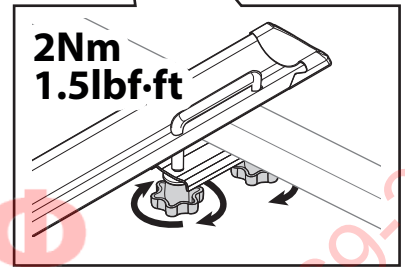
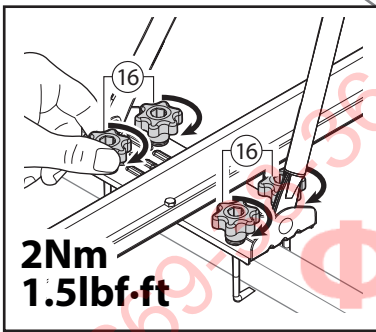
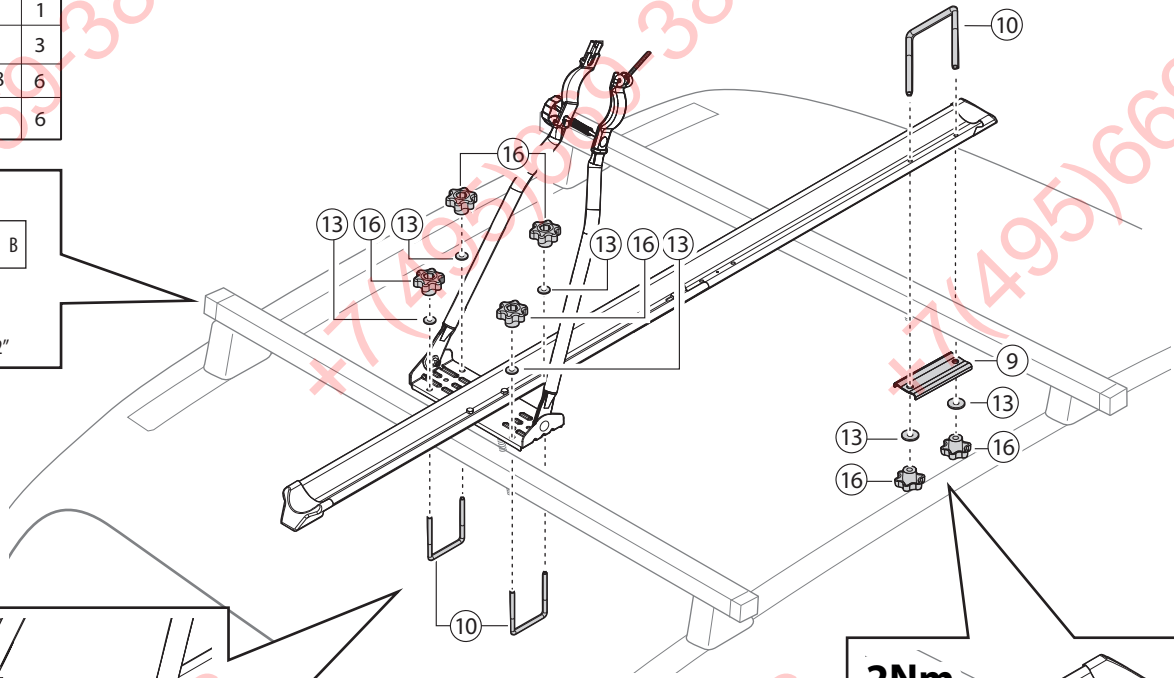
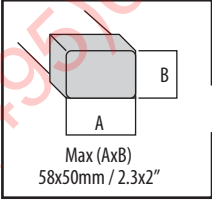
3

| N. | | Q. |
|----|---------------------------|----|
| 2 | | 1 |
| 5 | | 1 |
| 13 | $\varnothing 6 \times 18$ | 4 |
| 14 | M6 | 2 |
| 15 | M6x14 | 2 |



4

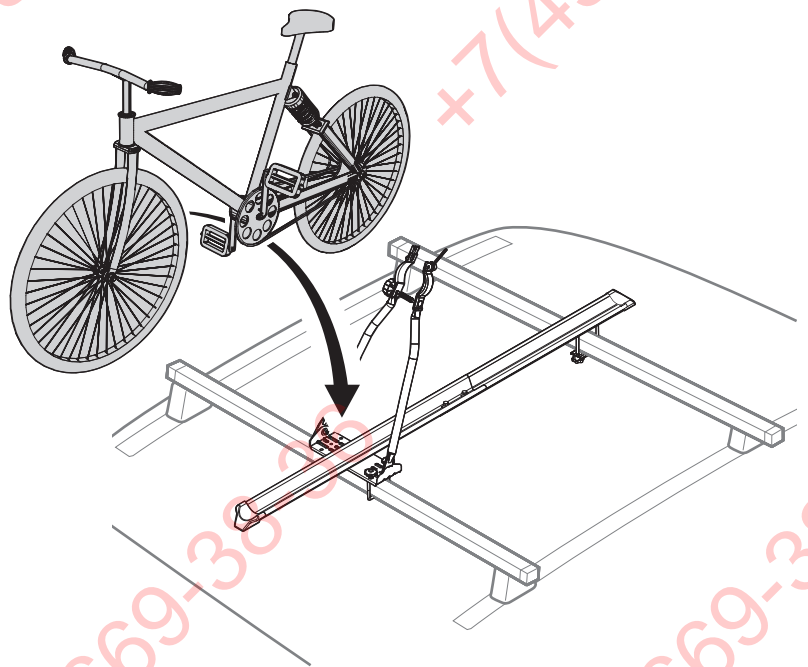
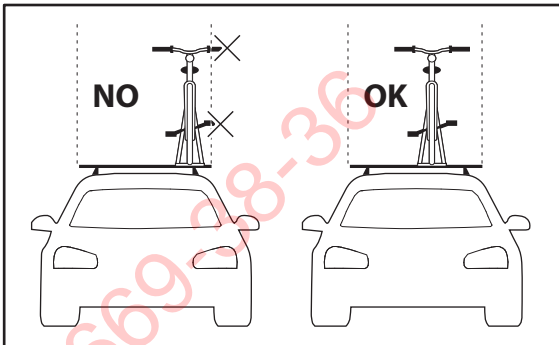
| N. | | Q. |
|----|--|----|
| 9 | | 1 |
| 10 | | 3 |
| 13 | | 6 |
| 16 | | 6 |



5

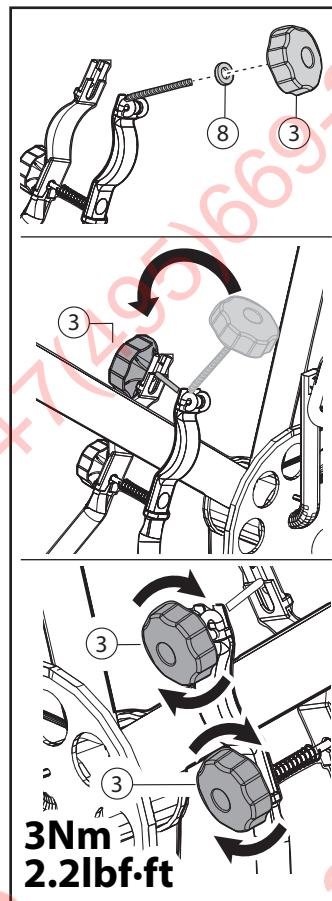
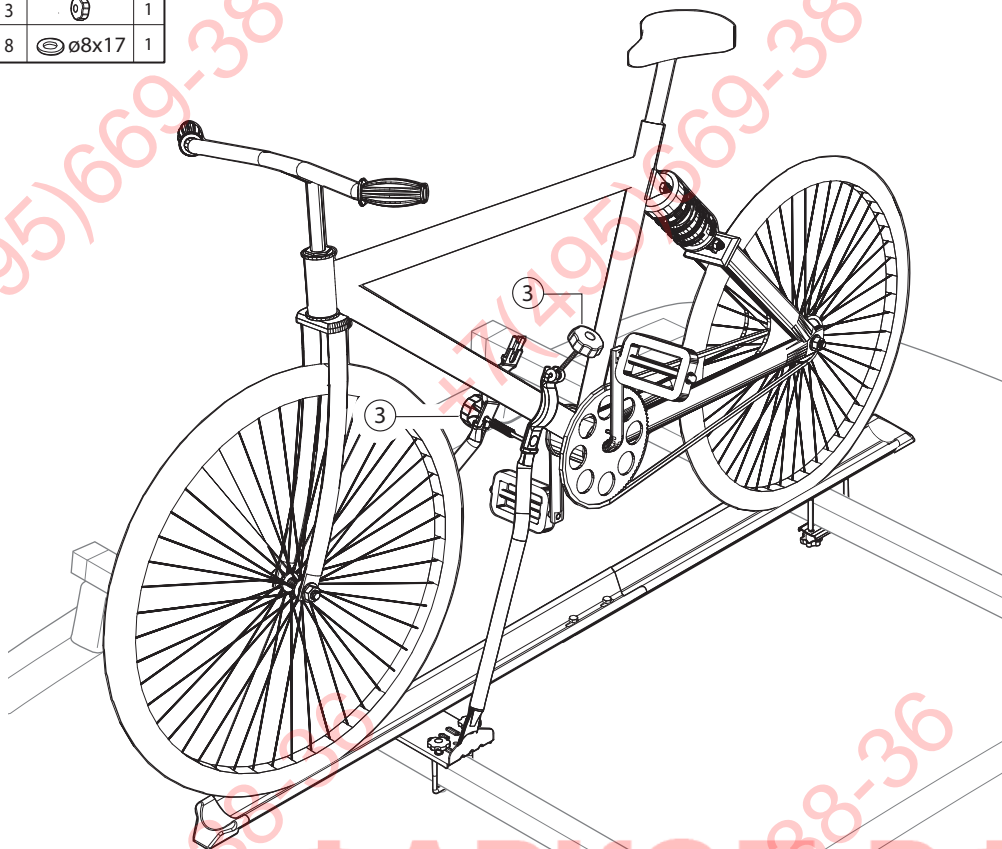


● MIN Ø28mm / 1"
MAX Ø70 mm / 2.7"
■ ▽ MIN 28x28mm / 1x1"
MAX 60x70 mm / 2.3x2.7"



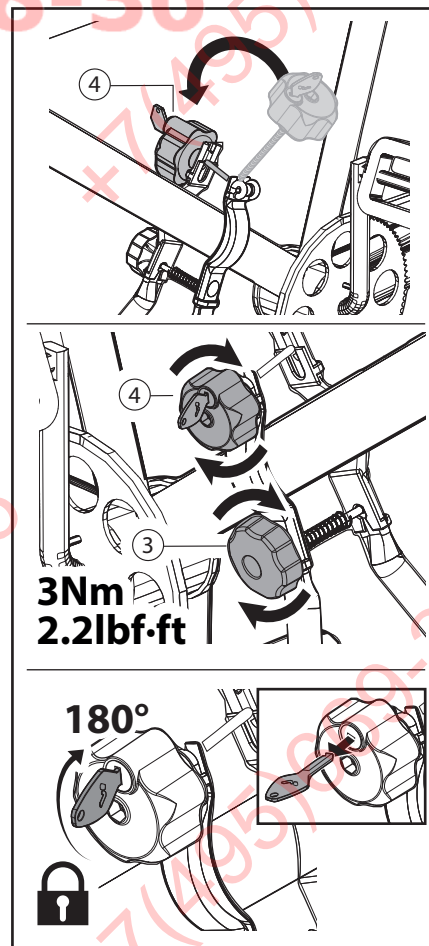
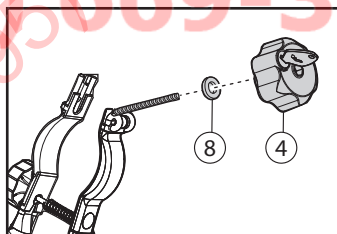
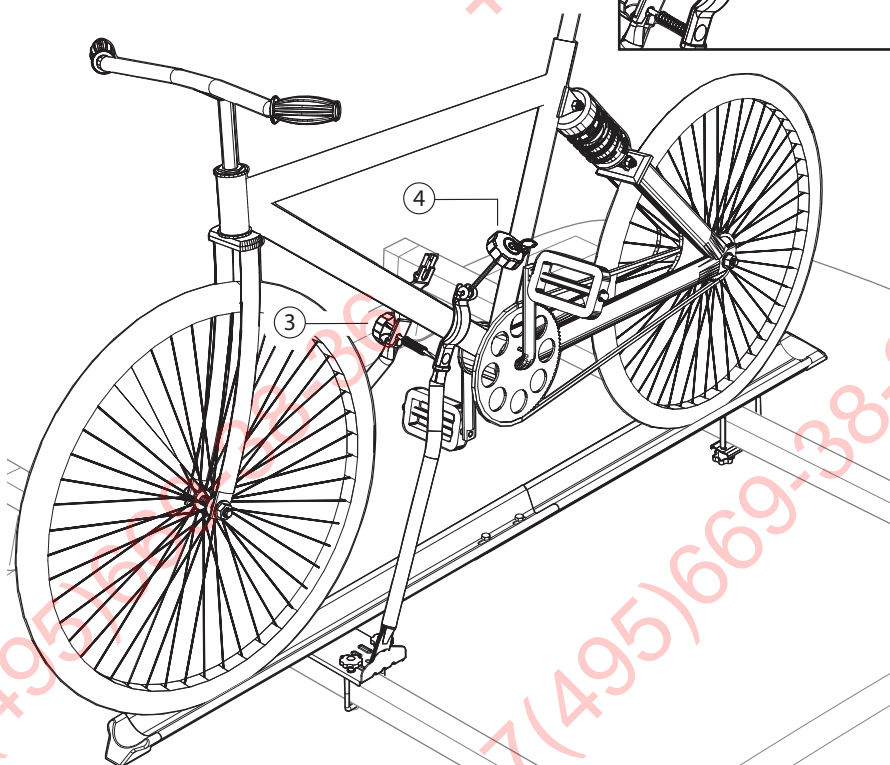
6a — HUGGY

| N. | Q. |
|----|----|
| 3 | 1 |
| 8 | 1 |

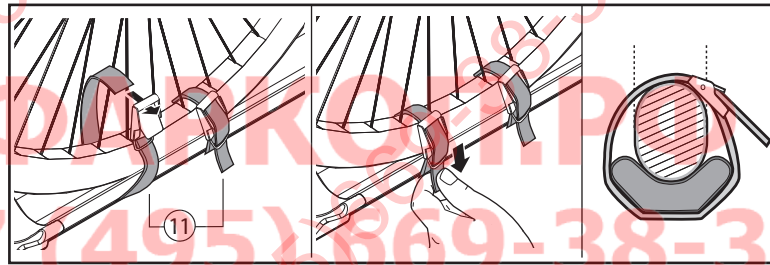
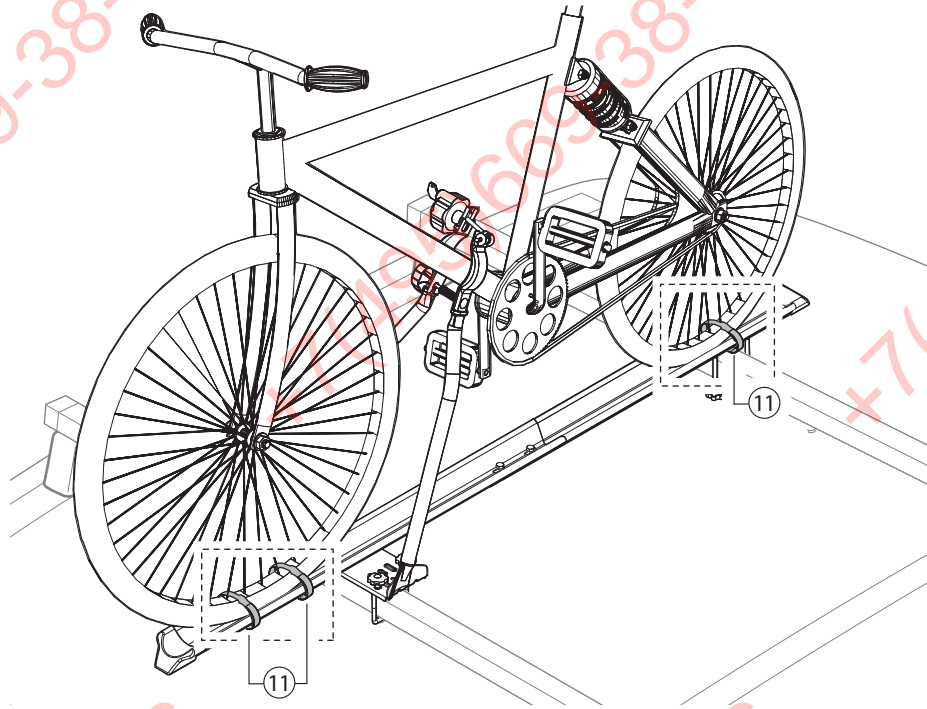


6b — HUGGY LOCK

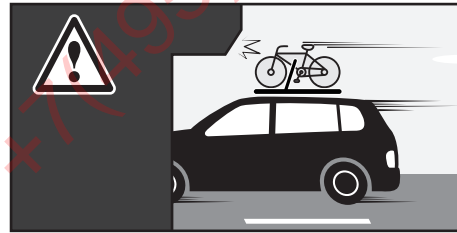
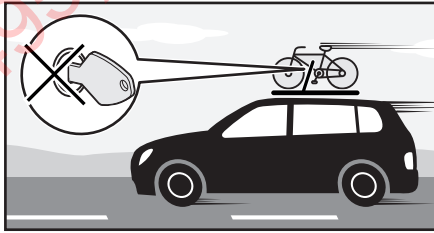
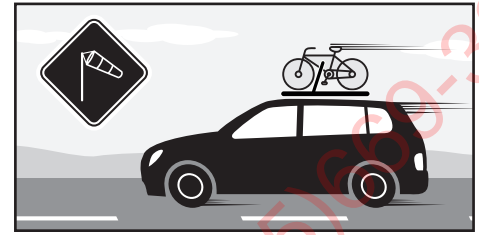
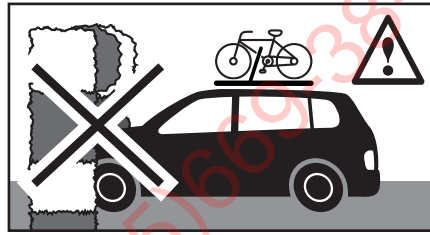
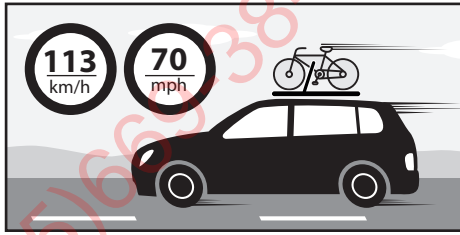
| N. | Q. |
|----|----|
| 4 | 1 |
| 8 | 1 |



| N. | Q. |
|----|----|
| 11 | 3 |



| | | |
|------------------------------------|--------------------|--------------------|
| | | |
| <p>HUGGY HUGGY LOCK</p> | <p>2.7kg / 6lb</p> | <p>15kg / 33lb</p> |



ФАРКОП.РФ

+7 (495) 669-38-36

F.lli Menabò S.r.l.
Via 8 Marzo, 3 -Z.I. Corte Tegge
42025 Cavriago (RE) ITALY
Tel. +39-0522/942840
Fax. +39-0522/942948
e-mail: info@flli-menabo.it
www.menabocaraccessories.com

| | |
|-----------|--------------|
| Cod.Istr. | 500008600001 |
| Data | 25/06/2020 |

Product registration EU:

IT) eu.menabocaraccessories.com/ita/product-support-ita
EN) eu.menabocaraccessories.com/eng/product-support-eng
DE) eu.menabocaraccessories.com/deu/product-support-deu
FR) eu.menabocaraccessories.com/fra/product-support-fra
ES) eu.menabocaraccessories.com/esp/product-support-esp

Product registration US/CA:

EN) us.menabocaraccessories.com/en/product-support
FR) us.menabocaraccessories.com/fr/support-produit
ES) us.menabocaraccessories.com/es/soporte-de-producto

www.menabocaraccessories.com

Name

Surname

Email

Telephone

Serial number

Product name

Sign in